



vsµanalysis

**VacSys** Chemical Microanalysis Solutions

**NEW**

## QAD-TRM

**Quick Access Preparation Chamber with Sample Transfer Mechanism**

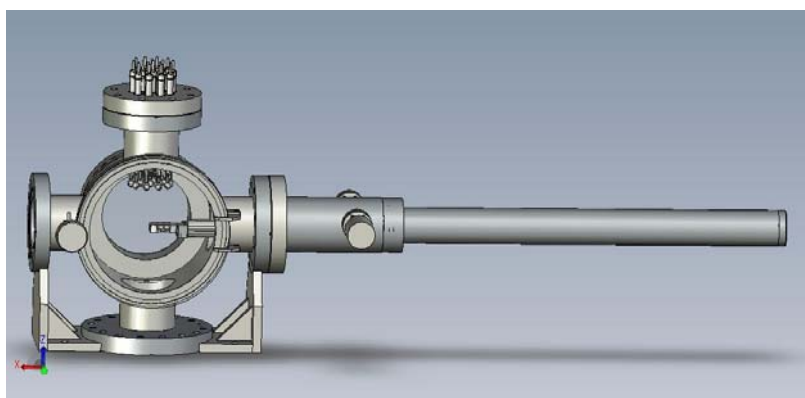
### Design

**QAD-TRM is newly designed as a simple to operate sample introduction, preparation and transfer into the analysis chamber.**

**The sample table is in a form of a cassette that is received both by the XYZ manipulator and the transfer system using a simple-to operate “click & carry” device.**

### Specifications

- Quick access door through 6” flange
- Sample table transfer through a simple click and carry mechanism
- Provision for surface preparation, such as electron bombardment heating or sputter deposition
- sign also allows for optional reaction vessels to inserted sideways to the axis of the sample transfer



*An image of the new quick access preparation chamber together with a sample transfer mechanism*

Sample prep  
Sample transfer

Catalysis  
Corrosion  
Powders  
Thin films  
Biological  
Medical  
Etc

VS Ltd ,  
Unit 11, Lexden Lodge Industrial Estate , Jarvis Brook, Crowborough,  
East Sussex, TN62NQ,U.K.Tel. (+44) -1892-665633,  
email [krizek@vacsys.co.uk](mailto:krizek@vacsys.co.uk), [www.vacsys.co.uk](http://www.vacsys.co.uk)